

UbiBot Leakage/Flood Detector LD1 is designed with high-sensitivity water-detection cable which is fire-resistant and wear-resistant, with high breaking resistance, stable and reliable. When LD1 detects leakage/flood, it will trigger an audible and visual alarm immediately and display the location of the leakage on the LCD screen in real time, at the same time, sync data to UbiBot IoT cloud platform through WiFi/4G/RJ45 Ethernet connection (Depending on the specific model purchased), allowing users to access and manage data remotely via multiple terminals like mobile/tablet and laptop, and receive real-time alerts via App prompt, emails, phone call/SMS, HTTP, etc.

UbiBot LD1 supports two-channel leak detection, maximum to 100 meters, quickly identify the leakage point.

The wire core sheath is made of quick-drying material, which can be quickly restored to normal state after wiping or drying.



## FEATURES

**Leak Location Detecting** - 24/7 detection of conductive liquid leaks, UbiBot LD1 detects the location of the leakage. When LD1 detects the liquid leakage, it will trigger the alarm and display the location of the leakage on the LCD screen.

**High Sensitivity** - Sensitive and accurate sensing and immediate alarm when leakage happens; no false trigger.

**Two-Channel Detection Probes** - With Patch Cords, multiple Leak Detection Probes can be connected in series in two channels, up to 100 meters.

**Supporting RS485 External Probes** - LD1 supports 1 x RS485 Smoke Probe and 1 x RS485 TH30S-B Air Temperature & Humidity Probe to monitor the room temperature, humidity, detect flood and smoke with one device.

**Multiple Network Connection Methods** - UbiBot Leak Detector LD1 can be connected to the UbiBot IoT cloud platform through WiFi/4G/RJ45 Ethernet cable (Depending on the specific model purchased).

**Multiple Alerts** - Built-in Sound & light Alarm, LCD screen display alarm, relay alarm, RS485 mode alarm, UbiBot IoT cloud alarm (App prompt, email, phone call, SMS, HTTP)

**Relay Control** - The LD1's interface automatically outputs DC 12V to activate the relay when the alert is triggered. UbiBot Sound & Light Alarm can be connected with LD1. Solid relay's 220V output is used to enable control of pumps, solenoid valves, and other similar components.

**Disconnect Detection** - Real-time monitoring of the device's working status, alerts for detection of rope damage, breakage status alarms, timely detection of cable failure all ensuring stable operation of the device.

### NOTE:

- LD1 must be powered by DC12V Power Supply.
- The optimal operational environment is 10% to 90% RH. Long-term exposure to a high-humidity environment, over 90% RH, may cause damage to the device.
- We provide a **free UbiBot Global SIM Card** for each LD1-AL4G2L WiFi & 4G device.
- LD1 series are not waterproof.

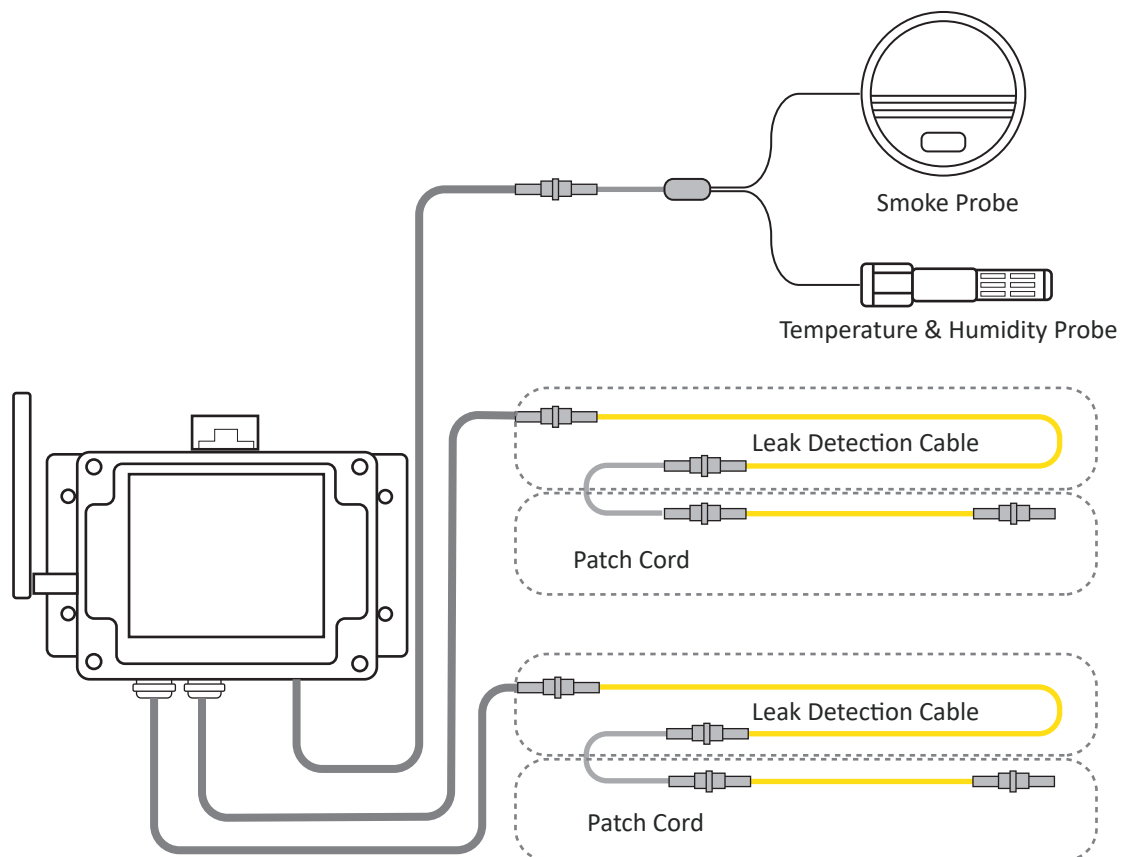
## EXTERNAL PROBES & ACCESSORIES

### External Probes Supported

- Multiple Leak Detection Cable in series in two-channel
- 1 x Smoke Probe
- 1 x TH30S-B Air Temperature & Humidity Probe

### Accessories

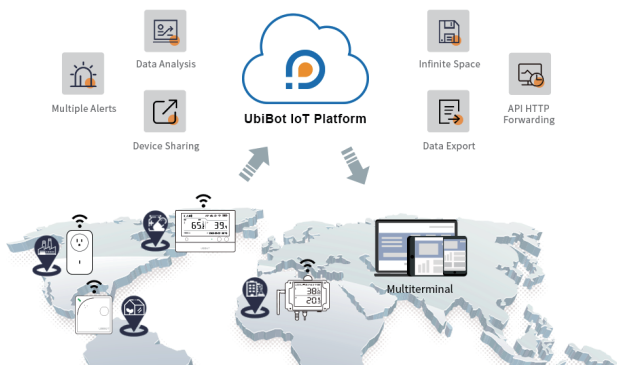
- Patch Cord
- DC12V Power Adapter
- UbiBot Strobe Light and Siren Alarm
- UbiBot Audio Plug Splitter for connecting RS485 external probes
- RS485 External Probe Extender - Audio Plug



### SPECIFICATIONS

Models	LD1-A2L WiFi connection only; LD1-AETH2L WiFi & Ethernet connection; LD1-AL4G2L WiFi & Cellular (2G/3G/4G) connection
Detection Object	Non-corrosive conductive liquid
Detection Range	Up to 100m
Accuracy	±0.5m
Response Time	<5s
Network	2.4GHz Wi-Fi(channels 1-13)/4G/RJ45 Ethernet (Depending on the specific model purchased)
Output Signal	RS485, Relay output (DC12V, ≤100mA)
Power Supply	DC12V/2A
External Probes Supported	Multiple Leak Detection Cable in series; 1 x Smoke Sensor; 1 x TH30S-B Temperature/Humidity Probe

### UbiBot Cloud IoT Platform



**Data Management:** Manage all your IoT data in one place; you could add as many devices as you want to one UbiBot account.

**Unlimited Storage:** Unlimited cloud-based storage ensures you will never run out of space. This allows you to view all your historical data via UbiBot App or Web.

**Free App & Web Console:** Using **UbiBot App** and **Web Console** is free. Powerful and thoughtful features provide you brilliant experience.

**Analysis and Visualization:** Use powerful analysis and visualization tools to get the most out of your data; spot trends and direct comparisons.

**Real-Time Alerts:** Fully customizable alert system will notify you via **App notifications, emails, phone call/SMS, HTTP** whenever any metric goes out of the range preset.

**Highly Secure Platform:** UbiBot IoT platform is designed to keep all your data secure so you never have to worry about hackers or other security issues.

**Third-Party Services:** Working with **IFTTT, Alexa, Google Assistant, Google Sheet**