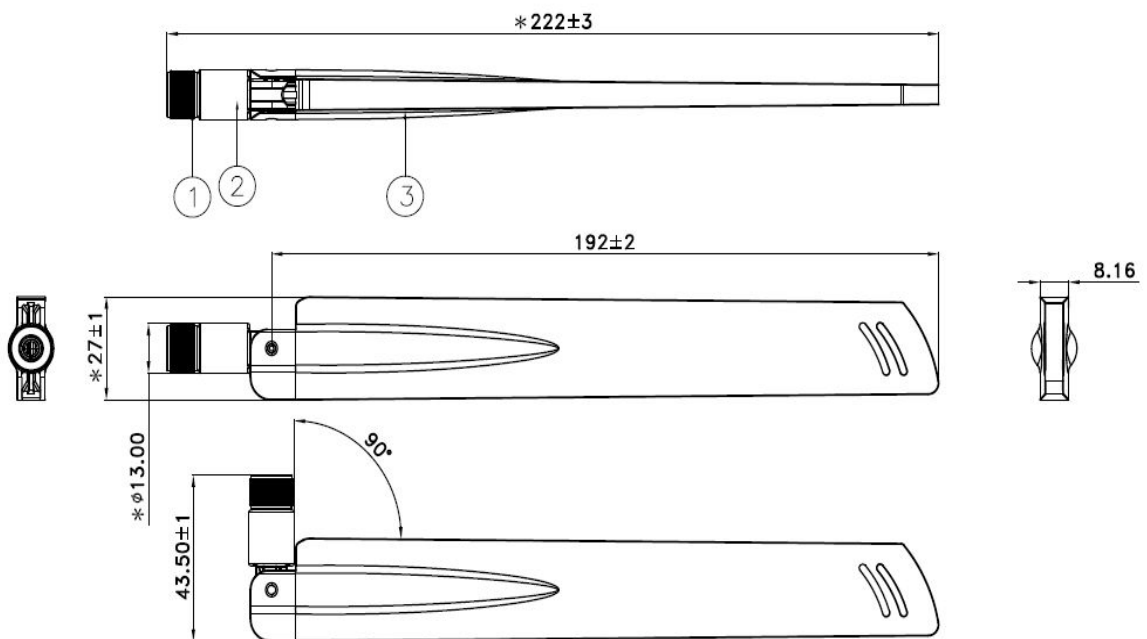


# 4G/LTE Antenna

Part Number: VT4GLTE-R-2



1.Dimension (Unit: mm)



2. Electrical Characteristics

Form 1

No.	Item	Specifications
1	Frequency (MHz)	700~960MHz 1710~2700MHZ
2	V.S.W.R	<= 2.0 @ 824 MHz <= 2.0 @ 1880 ~ 2300 MHz
3	Gain	0.5±0.5dBi@700~960MHz 2.0±0.7dBi@1710~2700MHZ
4	Efficiency (%)	40 % @ 700 ~ 960 MHz 76% @ 1710 ~ 2700 MHz
5	Polarization	Linear
6	Impedance	50 Ω

3. Mechanical Characteristics

Form 2

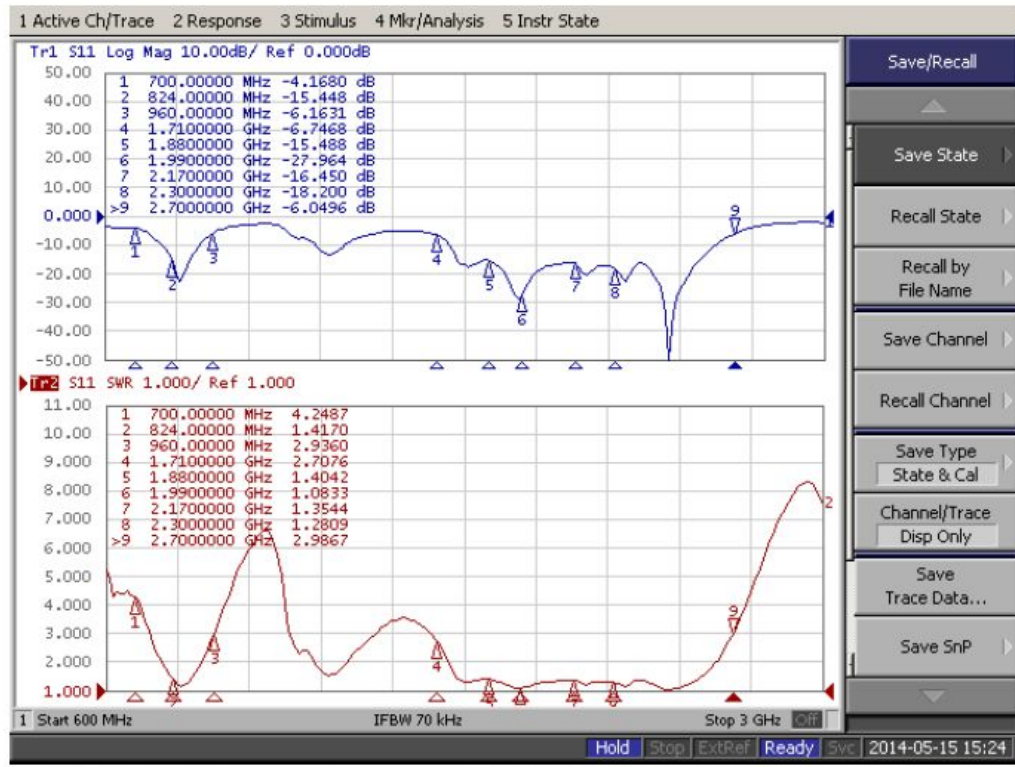
No.	Item	Specification
1	Material of Radiator	CU
2	Material of Plastic	ABS
3	Connector	SMA Male
4	Plastic Housing	Black
5	Size	222*27mm

4. Environmental Characteristics

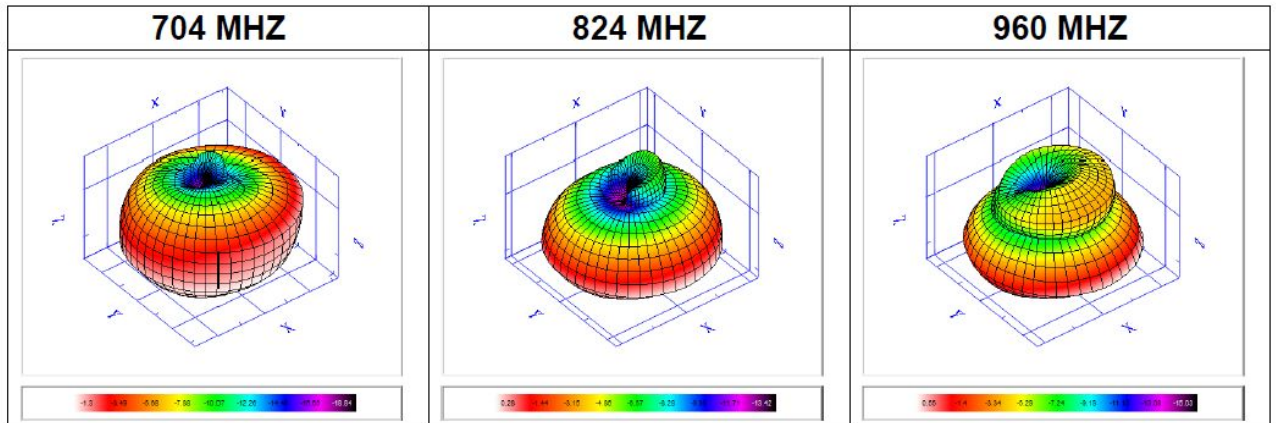
Form 3

No.	Item	Specification
1	Environmental Operating Temperature	- 40°C ~ + 65°C
2	Storage Temperature	- 40 °C ~ + 80 °C
3	Antenna Color Storage life	< 2 year
4	Environmentally Friendly	ROHS Compliant

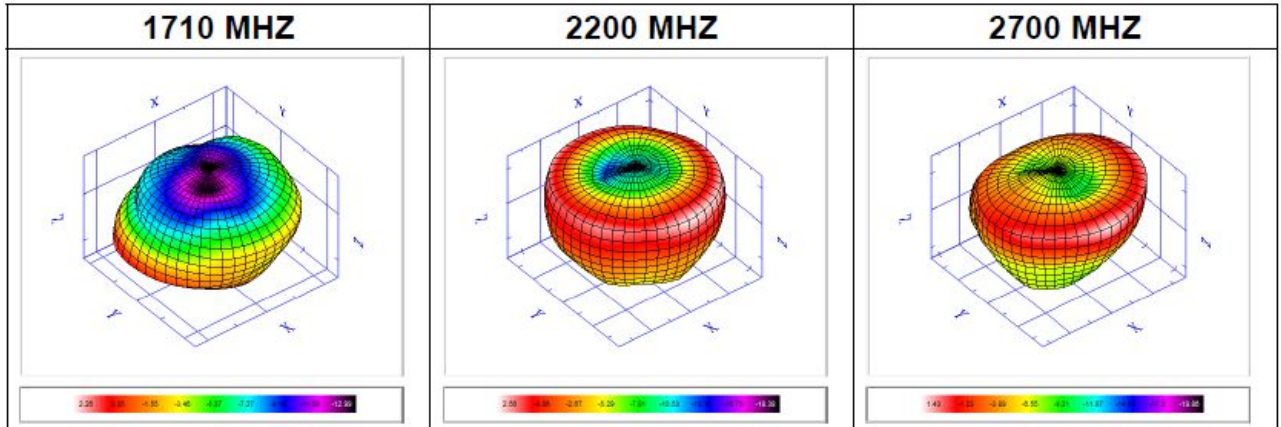
5. Antenna - S Parameter Test Data



6. Antenna - Radiation Pattern Test Data



Frequency	704	824	880	960
TRP(dBm)	-4.86	-3.74	-3.45	-3.65
Peak EIRP(dBm)	-1.3	0.28	0.71	0.55
NHPRP +/-45(degree)	-4.57	-3.5	-3.23	-3.41
NHPRP +/-30(degree)	-5.58	-4.79	-4.53	-4.97
E-Theta Peak Gain(dBi)	-7.42	-6.32	-5.78	-5.7
E-Phi Peak Gain(dBi)	-1.73	0.01	0.51	0.34
E-Total Peak Gain(dBi)	-1.3	0.28	0.71	0.55
Directivity(dBi)	3.56	4.02	4.16	4.2
Efficiency(%)	32.69	42.28	45.19	43.14



Frequency	1710	1880	1990	2000	2100	2200	2300	2400	2500	2600	2700
TRP(dBm)	-1.35	-1.09	-0.64	-0.63	-0.55	-0.63	-1.49	-1.76	-0.79	-1.33	-3.33
Peak EIRP(dBm)	2.26	0.64	1.38	1.52	2.32	2.56	1.22	2.38	3.7	3	1.43
NHPRP +/-45(degree)	-1.22	-1.36	-1	-1	-0.93	-1.08	-1.81	-2.06	-1.07	-1.73	-4.09
NHPRP +/-30(degree)	-2.77	-1.87	-1.22	-1.21	-1.08	-1.2	-2.48	-2.37	-1.13	-1.68	-3.98
E-Theta Peak Gain(dBi)	-7.6	-11.2	-13.9	-14.1	-12.8	-10.3	-9.71	-8.94	-8.18	-11.3	-13.4
E-Phi Peak Gain(dBi)	-2.25	0.62	1.36	1.51	2.29	2.55	1.17	2.34	3.68	3	1.42
E-Total Peak Gain(dBi)	2.26	0.64	1.38	1.52	2.32	2.56	1.22	2.38	3.7	3	1.43
Directivity(dBi)	3.61	1.73	2.02	2.16	2.88	3.19	2.7	4.14	4.49	4.33	4.77
Efficiency(%)	73.24	77.8	86.31	86.43	88.07	86.49	71.01	66.74	83.37	73.7	46.43